



- NENUTEC is pleased to offer the NAY series Electric Butterfly Valve Actuator. These Actuator are mainly use with Butterfly Valve in the HVAC system to regulate the flow of water and steam in response to the demand of a controller.
- Complete range from 50Nm to 3000Nm
- On/Off or Modulating
- 0-10VDC or 4-20mA Control Signal Selectable
- High close-off pressure satisfies demanding requirements of high-rise buildings and high-pressure pumping systems
- Clutchless Manual Handwheel

Specifications

Torque	See Table 1 for Selection
Power Supply	AC 220V ±15%
Frequency	50 / 60 Hz
Protection Class	II
Control Signals	See Table 1 for Selection
Life Cycle	60,000 cycle
IP Protection	IP 67
Ambient Temperature	-20°...50° as per IEC721-3-3
Ambient Humidity	5...95% rH (non Condensing)
Inventory Temperature	+70°C as per IEC 721-3-2
Weight	See Table 2
Certification	CE and ISO 9000 (EN...requirements)

Valve Actuator			Control Signal		Power Supply		Modulating Signal		Hyphenated		Actuating Force		
N	A	Y	M	2	.	1	-	0	0	5	0	H	S

Table 1: Actuator Code Number Designations

Valve Actuator NAV			
NAY = Butterfly Valve Actuator			
Control Signal			
A = On/Off			
M = Modulating Control			
Power Supply			
2 = 220Vac			
Modulating Signal (Applicable for Modulating Signal)			
1 = 0—10 Vdc or 4—20 mA			
Torque			
0050 = 50Nm	0350 = 350Nm	0800 = 800Nm	2000 = 2000Nm
0080 = 80Nm	0500 = 500Nm	1100 = 1100Nm	3000 = 3000Nm
0150 = 150Nm	0650 = 650Nm	1600 = 1600Nm	

Table 1: Actuator Code Number Selection Guide

To Order

Specify the code number from the Actuator Code Selection Guide.

Repair Parts

Available repair parts for NAY Series Actuator include replacement actuators. No other field repairs should be attempted.

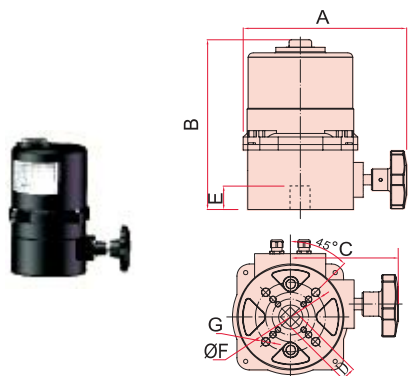
Table 2: Technical Data

Model		Power (w)	Max Output torque (N-m) AC220V/50Hz 1 Phase	Open/Close Time (sec)	ISO5211 Std	Weight (kg)	Remark
On/Off NAYA 2	Modulating NAYM 2.1						
0050HS		15	50	15	F03/F05/F07	3	With handwheel
0080HS		40	80	19	F07	13	
0150HS		40	150	39	F07	13	
0350HS		90	350	29	F10	20	
0500HS		90	500	39	F10/F12	20	
0650HS		90	650	47	F12	20	
0800HS		120	800	47	F12	20	
1100HS		200	1100	34	F12/F14	36	
1600HS		200	1600	47	F12/F14	36	
2000HS		200	2000	76	F14/F16	55	
3000HS		200	3000	105	F16	55	

Table 3 : Maximum Close-off Pressure (KPA)

Maximum Shutoff Pressure (KPA) with NVBF Series Valve															
Model	Torque (Nm)	DN50	DN65	DN80	DN100	DN125	DN150	DN200	DN250	DN300	DN350	DN400	DN450	DN500	DN600
0050HS	50	900	700	700											
0080HS	80				700	500									
0150HS	150					700	700								
0350HS	350							700	500						
0500HS	500								700	500					
0650HS	650									700	500				
0800HS	800										700				
1100HS	1100											700	500		
1600HS	1600												700	500	
2000HS	2000													700	
3000HS	3000														700

NAYA 2/NAYM2.1 - 0050HS series



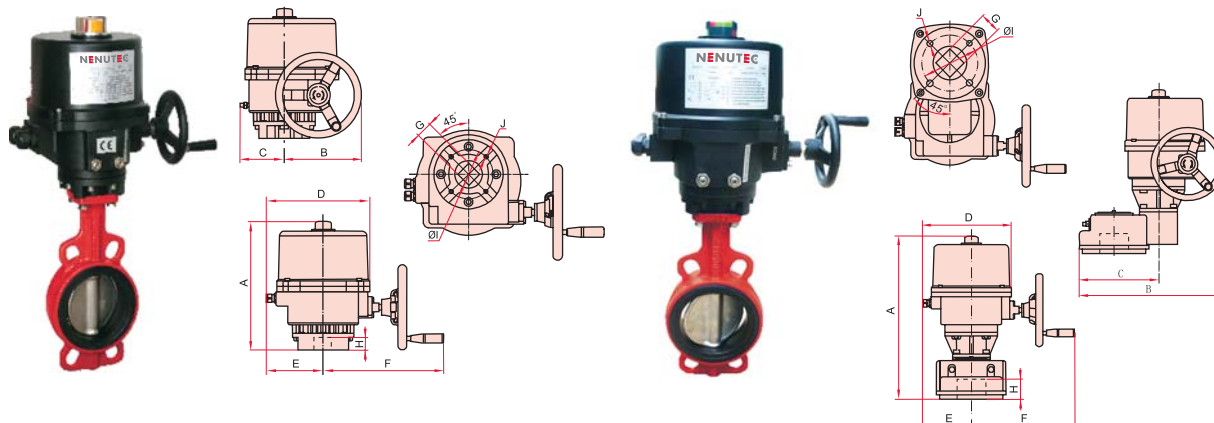
NAYA 2/NAYM2.1 - 0050HS

Dimension:

Unit:mm

Model	A	B	C	D	E	ØF	G	Remarks
NAYA 2 NAYM2.1								
0050HS	170	195	110	14X14	15	30 50 70	4-M5 4-M6 4-M8	With handwheel

NAYA 2/NAYM 2.1 - 0080HS - 3000HS series



NAYA 2/NAYM2.1 - 0080HS - 1600HS

NAYA 2/NAYM2.1 - 2000HS - 3000HS

Dimension:

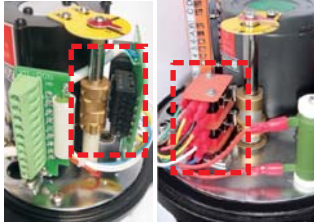
Unit:mm

Model	A	B	C	D	E	F	G	H	ØI	J	Remarks
NAYA 2 NAYM2.1											
0080HS	264	125	72	213	125	239	14X14	35	70	4-M8	With handwheel
0150HS	264	125	72	213	125	239	17X17	35	70	4-M8	
0350HS	336	154	98	377	148	251	22X22	55	102	4-M10	
0500HS	336	154	98	377	148	251	22X22	55	102	4-M10	
0650HS	336	154	98	377	148	251	27X27	55	125	4-M12	
0800HS	336	154	98	377	148	251	27X27	55	125	4-M12	
1100HS	342	201	133	297	165	325	27X27	65	125 140	4-M12	
1600HS	342	201	133	297	165	325	36X36	65	125 140	4-M12	
2000HS	541	481	263	295	162	344	40X40	85	140 165	4-M16 4-M20	
3000HS	541	481	263	295	162	344	46X46	85	165	4-M20	

*Remark: The upper "G" is suggestive square-hole, can be decided by customer under which meets ISO5211 Std.

Optional and Standard Configuration

Passive dry contact



※Std configuration for On/Off type actuator. Modulating type is optional.

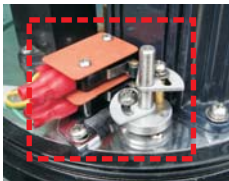
Heating resistance



To prevent the temperature inside the housing from falling below the dewpoint temperature.

※Std configuration.

Over-torque mechanism



To prevent the actuator failure from valve locking

※Optional configuration.
Remark: All Flowinn actuators have motor overheating protection function which also can prevent actuator failure from valve locking and is std configuration.

1KΩ Position feedback

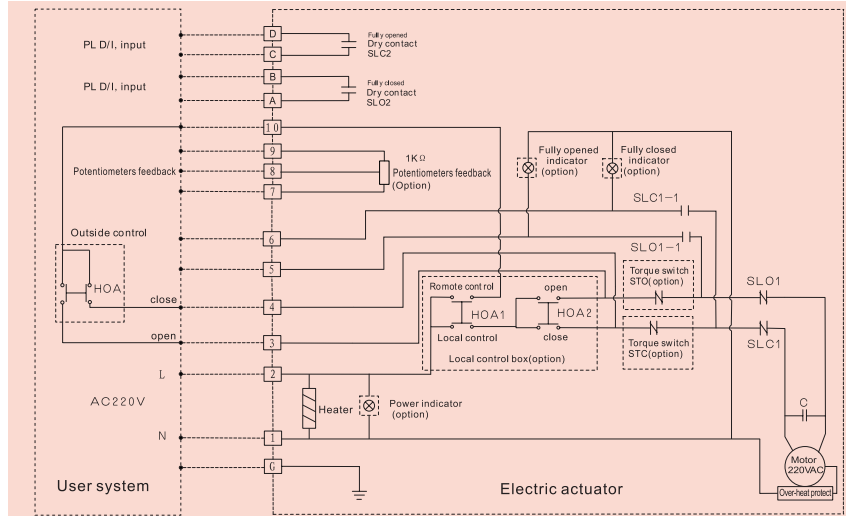


1 KΩ potentiometer feedback is std setup, Ω value can be selected by customer.

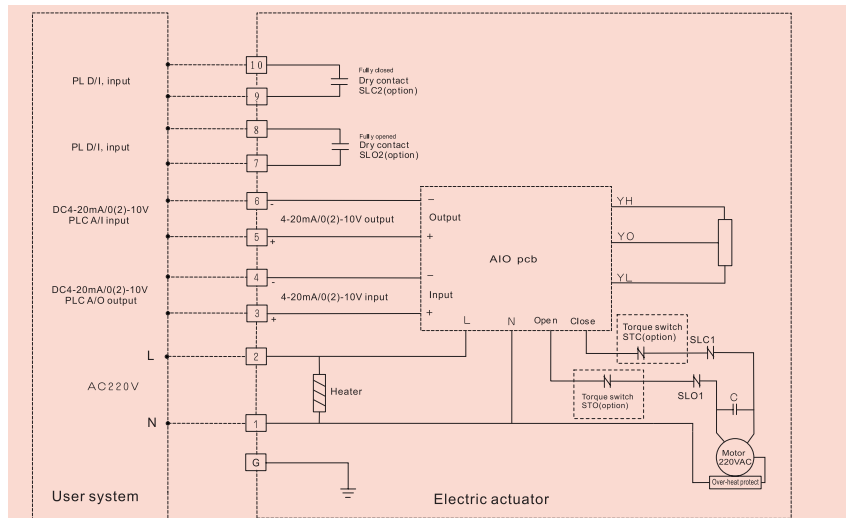
※Optional configuration.

Basic wiring diagram: (Only for reference; pls refer diagram inside actuator)

1. On/Off Type NAYA series



2. Modulating type NAYM series



Main Office:

NENUTEC®

NENUTEC ASIA PACIFIC PTE LTD

7030 Ang Mo Kio Ave 5 #08-55

Northstar@AMK

Singapore 569880

Phone : +65 6570 3233

Fax : +65 6570 6783

Email : info@nenutec.com.sg

Website : www.nenutec.com.sg

Headquarter:



TELIMA AG

Schachenstrasse 80

CH-8645 Jona / Switzerland

Tel : +41 55 224 40 60

Fax : +41 55 224 40 69

Email : info@telima.ch

Website : www.nenutec.com